

DAMPER VALVE - HANDLE/ WORM GEAR OPERATED

LEHRY Offers Manual (Handle / Gear) Operated Damper Valve for flow Control of Air & Gas.

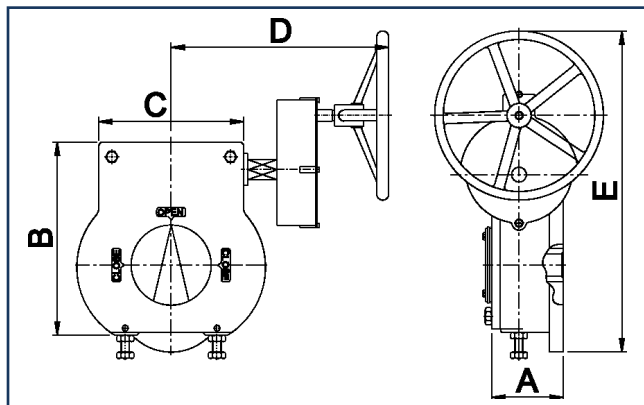
Size Range: 1 1/2" To 20"

Technical Specifications:

Body	C.1. (IS 210 Gr. FG 200 / 220) WCB
Disc	CF8 / CF8M / CF3M / WCB / Powder Coated
Seat	Metal to Metal
Shaft	AISI 410 / ASTM A351 / CF8 / CF8M / CF3M
Valve Type	Centric Disc Butterfly Valve with Metal to Metal
Body Type	Short Wafer (Sandwiched between flanges)
Seat Type	Metal to Metal
End Connection	Wafer Sandwiched (Lug Type On Request)
Pressure Rating	PN 10 (Maximum)
Oper. Temp. Range	-25 °C to 400 °C (depending on MOO) Upto 600 °C
Seat Leakage	Tight shut off (Better than Class) 0.5%
Operation	Hand lever for sizes form 40 MM to 150 MM
	Worm gear boxes for 200 MM to 300 MM

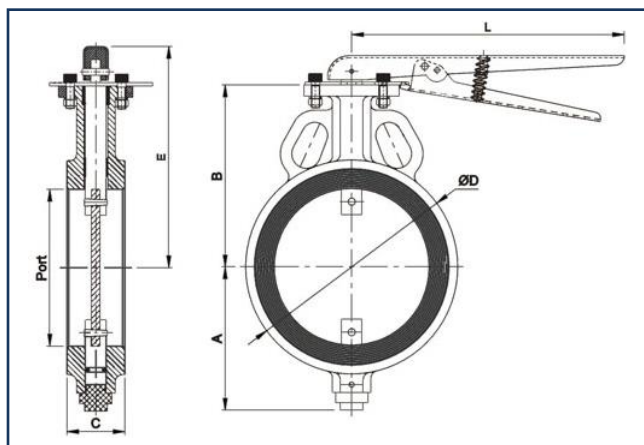


Test Pressure		
Testing	Body	Seat
Hydraulic	0.5 Kg/cm'	5% Leakage



Dimensions : (All Dimensions are in mm)

Valve Model	Valve Size	Torque (Nm)	A	B	C	D	E
AT - 20	1.1/2" to 8"	250	48	110	78	180	181
AT - 25	10" to 12"	500	62	136	98	240	233
AT-30	14" to 16"	700	68	180	119	285	318
AT - 50	18"	1500	75	202	140	305	409
AT - 60	20"	2200	84	214	180	320	425



Dimensions : (All Dimensions are in mm)

Valve Model	Size		Port	A	B	C
	mm	Inch				
DP -40	40	1.1/2"	40	55.5	81.5	33.5
DP -50	50	2"	50	60.5	100	43.5
DP -65	65	2.1/2"	65	68	107.5	46
DP - 80	80	3"	80	75.5	115	46
DP - 100	100	4"	100	85.5	125	52
DP - 125	125	5"	125	108.5	167.5	56
DP - 150	150	6"	150	121	180	56
DP - 200	200	8"	200	146	205	60
DP - 250	250	10"	245	206	237	68
DP - 300	300	12"	290	256	291	78
DP - 350	350	14"	340	270	312	78
DP - 400	400	16"	382	291	327	102
DP - 450	450	18"	445	337	361	90
DP - 500	500	20"	490	381	426	90

Lehry Instrumentation & Valves Pvt. Ltd.,

"Lehry Chambers" #78 (Old No: 51) Sembudoss Street,
 P.B No.1506, Parrys, Chennai - 600 001.

Phone : 044 25226995/25225185/25226187/42163823/
 42625620/42625621. Fax : 044 25231715

Email : info@lehry.com / Website : www.lehryvalves.com

Branches : Chennai, Bangalore, Hyderabad, Mumbai, Noida, Pune