

BALL VALVE

SINGLE PIECE DESIGN BALL VALVE :-

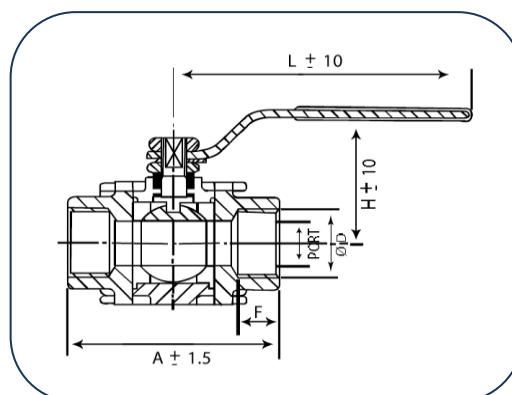
Material Specification : IS 210 Gr. FG 200
: ASTM A216 WCB
: ASTM A351 CF8
: ASTM A351 CF8M
: ASTM A351 CF3
: ASTM A351 CF3M

Technical Data :-

Manufacturing STD : BS 5351,
Testing & Inspection STD : BS 6755
End Connections : Socket Weld ANSI B – 16.11
Screwed ANSI B-2.1 / IS-554

(All Dimensions are in mm)

Size	15	20	25	32	40	50	65	80	100
A	65	75	85	98	110	125	150	175	210
B	35.5	44.5	48.5	49	64.5	77	105	122.5	145
H	43	52.5	60	85	86.5	94.5	125	138	158
F	10	13	13	13	13	16	16	16	19.5
C	21.8	27.4	34.1	42.7	49	61	72	90	114.8
E	13.5	14	17.5	18	18.5	19.5	28.89	30.48	33.02
L	110	130	150	200	200	200	300	300	450
NB	12.5	17	24	30	37	48	64	75	98
Wt.KG	0.24	0.3	0.6	1.3	1.4	2.00	4.5	7	13



THREE PIECE DESIGN SCREWED END BALL VALVE :-

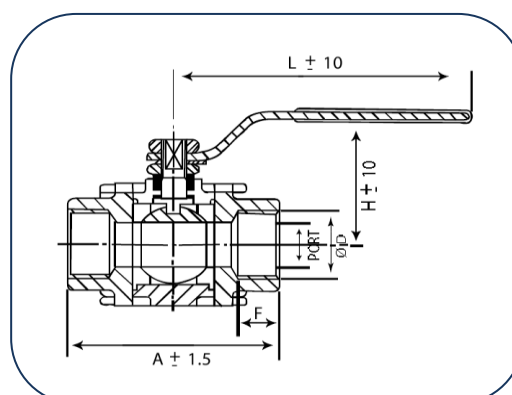
Material Specification : ASTM A216 WCB
: ASTM A351 CF8
: ASTM A351 CF8M
: ASTM A351 CF3
: ASTM A351 CF3M

Technical Data :-

Manufacturing STD : BS 5351,
Testing & Inspection STD : BS 6755
End Connections : Socket Weld ANSI B – 16.11
Screwed ANSI B-2.1 / IS-554

(All Dimensions are in mm)

Size	15	20	25	32	40	50	65	80	100
A	65	75	95	110	115	125	150	175	210
B	36	34.75	46.5	49	58	67	105	122.5	145
H	44	49.5	56.5	85	86.5	91.75	125	138	158
F	10	13	13	13	13	16	16	16	19.5
C	21.8	27.8	34.1	42.7	49	61	72	90	114.8
E	13.5	14	17.5	18	18.5	19.5	28.89	30.48	33.02
L	108	124	145	196	196	196	300	300	450
NB	12.5	17	24	30	37	49	64	75	98
Wt.KG	0.3	0.5	0.7	1.5	1.6	2.1	4.8	7.00	11.3

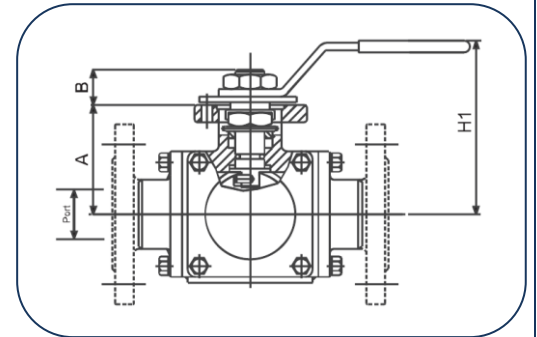


THREE PIECE DESIGN FLANGED END BALL VALVE :-

Material Specification : ASTM A216 WCB
 : ASTM A351 CF8
 : ASTM A351 CF8M
 : ASTM A351 CF3
 : ASTM A351 CF3M

Technical Data :-

Manufacturing STD : BS 5351,
 Testing & Inspection STD : BS 6755
 End Connections : Flanged 150 / 300 / 600#



(All Dimensions are in mm)

Size	15	20	25	32	40	50	65	80	100
A	108	117	127	140	165	178	190.5	203	229
D	89	98.5	108	117.5	127	15.24	177.8	190.5	228.6
T	11.2	11.2	11.2	12.7	14.2	16	17.5	19.05	24
R	35	43	50.8	63.5	73	92	105	127	157
P	60.4	69.8	79.2	88.9	98.5	120.6	139.7	152.4	190.5
N	4	4	4	4	4	4	4	4	8
O	15.8	15.8	15.8	15.8	15.8	19	19	19	19
B	37	43	47	49	58	70	93.5	100	131
H	62	64	74	85	87	92.0	120	125	162
L	147	147	175	225	225	225.0	300	300	450
NB	12.5	17	24	30	37	49.0	64	75	98
Wt.KG	1.07	1.4	1.9	3.1	3.8	5.7	8.1	11.5	21.1

TEST. PRESSURE		
TESTING	BODY	SEAT
HYDRAULIC	104 Kg/Cm ²	
PNEUMATIC	----	7 Kg/Cm ²

Lehry Instrumentation & Valves Pvt. Ltd.,

"Lehry Chambers" #78 (Old No: 51) Sembudoss Street,
 P.B No.1506, Parrys, Chennai - 600 001.

Phone : 044 25226995/25225185/25226187/42163823/
 42625620/42625621. Fax : 044 25231715

Email : info@lehry.com / Website : www.lehryvalves.com

Branches : Chennai, Bangalore, Hyderabad, Mumbai, Noida, Pune