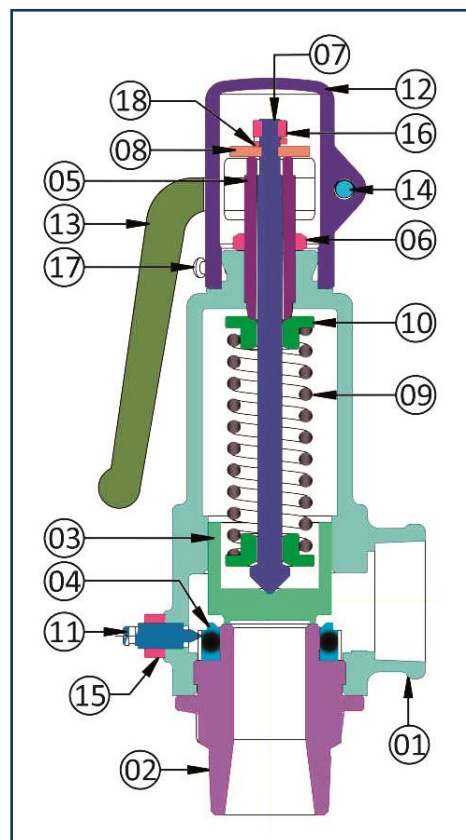


POP TYPE SAFETY VALVE

LEHRY MAKE Safety valves are used on Pressure equipment's, Containers or Pipeline as over Pressure in the equipment increases and exceeds allowance, the valve can automatically open to discharge some mediums to prevent the pressure keeping raised. When the pressure decreases till to the stipulated value, the valve can close in time to avoid the pressure too much reduced, so that normal production will be carried out.

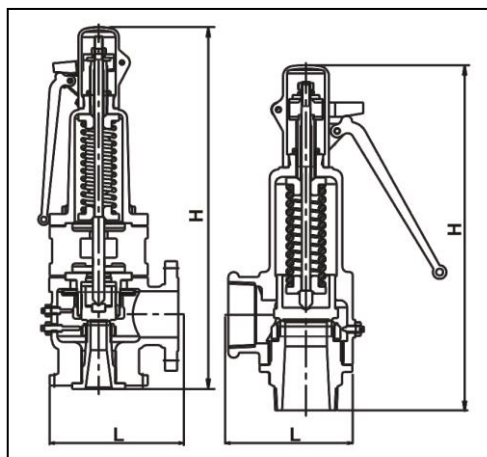
Technical Details : -

SL.N	DESCRIPTION	MATERIAL	QTY
1	Body Screwed	WCB / CF8 / CF8M	1
2	Bonnet	WCB / CF8 / CF8M	1
3	Balanced Piston	CF8 / CF8M	1
4	Adjusting Ring	SS.304	1
5	Adjusting Bolt	SS.304	1
6	Adjusting Lock Nut	M.S	1
7	Stem	SS.304	1
8	Flat Washer	M.S	1
9	Spring	SS.302	1
10	Spring Guide	SS.304	2
11	Lock Screw	SS.304	1
12	Cap	CF8 / CF8M	1
13	Lifting Lever	CF8 / CF8M	1
14	Lever Pin	SS.304	1
15	Hex. Nut Lock Screw	ASTM 194	1
16	Hex. Nut for Steam	ASTM 194	1
17	Fitting Bolt For Cap	ASTM 194	2
18	Spring Washer	SS.304	1



Dimensions : (All Dimensions are in mm)

Valve Model	Valve Size		L	H
	MM	Inch		
PTSV-15	15	1/2"	59.5	193.5
PTSV-20	20	3/4"	67	212.5
PTSV-25	25	1"	75	235.8
PTSV-32	32	1 1/4"	88.5	273.85
PTSV-40	40	1 1/2"	100	293.2
PTSV-50	50	2"	110	324.8
PTSV-65	65	2 1/2"	133	415.85
PTSV-80	80	3"	174.5	486

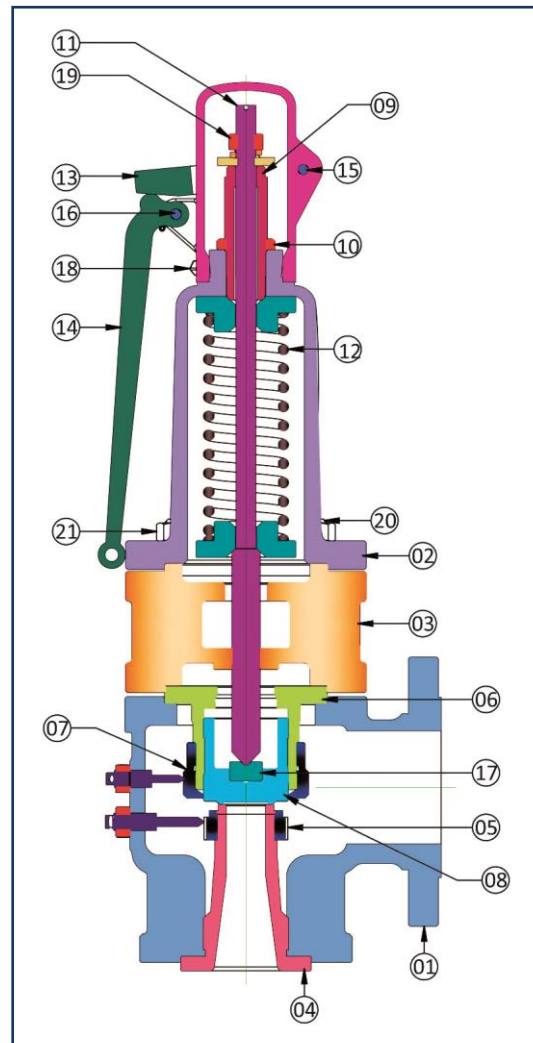


Technical Details :-

SL.N	DESCRIPTION	MATERIAL	QTY
1	Body Flanged	WCB	1
2	Top Cover	WCB	1
3	Bracket	WCB	1
4	Bonnet	CF8 / CF8M	1
5	Bonnet Adjusting Ring	CF8 / CF8M	1
6	Piston Guide	CF8 / CF8M	1
7	Piston Guide Adjusting Ring	CF8 / CF8M	1
8	Piston	CF8 / CF8M	1
9	Adjusting Bolt	SS.304	1
10	Adjusting Lock Nut	M.S	1
11	Stem	SS.304	1
12	Spring	SS.302	1
13	Lifting Lever	CF8 / CF8M	1
14	Lifting Handle	CF8 / CF8M	1
15	Lifting Lever Pin	M.S	1
16	Lifting Handle Pin	M.S	1
17	Piston Bush	M.S	1
18	Cap Lock Nut	M.S	2
19	Nut for Stem	M.S	1
20	Fitting Stud	M.S	8
21	Fitting Nut	M.S	8

Dimensions : (All Dimensions are in mm)

Valve Model	Valve Size		L	H
	MM	Inch		
PTFV-50	50	2"	213	627.3
PTFV-65	65	2 ½"	235	652.4
PTFV-80	80	3"	248	809.5



Lehry Instrumentation & Valves Pvt. Ltd.,

"Lehry Chambers" #78 (Old No: 51) Sembudoss Street,
P.B No.1506, Parrys, Chennai - 600 001.

Phone : 044 25226995/25225185/25226187/42163823/
42625620/42625621. Fax : 044 25231715

Email : info@lehry.com / Website : www.lehryvalves.com

Branches : Chennai, Bangalore, Hyderabad, Mumbai, Noida, Pune