

MOD-QT - SERIES SINGLE PHASE QUARTER TURN ELECTRICAL ACTUATOR



KEY FEATURES

Supply Voltage

220 VAC- (+ 10%), 50/60 Hz
110 VAC 24V DC 12V DC (Available on request)

Enclosure – IP 67/68

Weatherproof - IS / IEC 60529
Flameproof or Ex Proof IS / IEC 60079 I Zone It. Gas Group IIB T4

Torque Range

15 Nm to 2800 Nm

Integral Starter Unit

Selector Switches : Open / Stop / Close
Auto / Manual or Remote / Local
Indicator Lamps : Open / Close / Error

Various Options

ON/OFF Type
Modulating Control (Signal Input 4 - 20Ma / 1 - 5V DC / 2 - 10V DC)
Potentiometer Feedback (4 ~ 20mA).
Auxiliary Limit Switches (2 Units)
2 Wire for ON/OFF Operation

Widely Used in Fields such as

- ❖ Water Treatment
- ❖ Municipal Water Supply Board
- ❖ Petroleum
- ❖ Chemical Industry
- ❖ Power Plant
- ❖ Metallurgy
- ❖ Pharmacy
- ❖ Paper Industry
- ❖ Energy
- ❖ Textile
- ❖ Food Processing
- ❖ Automation etc..

Motorized Valves

- ❖ Ball Valves
- ❖ Butterfly Valves / Damper Valves
- ❖ Fire Safe Ball Valves
- ❖ Jacketed Ball Valves
- ❖ Wafer ball Valves
- ❖ UPVC / PP Ball Valves

MANUFACTURING STANDARDS

- ❖ **Actuator Manufacturing Standard**
IEC / EN 15714 - 2 (Electrical Actuator for Industrial Valves)
- ❖ Actuator Enclosure Standard - IP 67 / 68
IS / IEC 60529 - 2009
(Degree of Protection provided by Enclosure)
IS / IEC 60079 (EX Proof Part-1 Equipment Protection by Flame Proof Enclosures "d")
- ❖ Actuator Motor Standard
IEC- 60034 1 (Rotating Electrical Machines)
IS-996 (Single Phase Induction Motor)
- ❖ Actuator Mounting Standard
ISO 5211 (Mounting Standard for Industrial Valves)

APPLICABLE DIRECTIVES

- ❖ EC Machinery Directive - 2006 / 42 / EC
- ❖ Low Voltage Directive - 2006 / 95 / EC
- ❖ EMC Directive - 2004 / 105 / EEC

Actuate With Accuracy



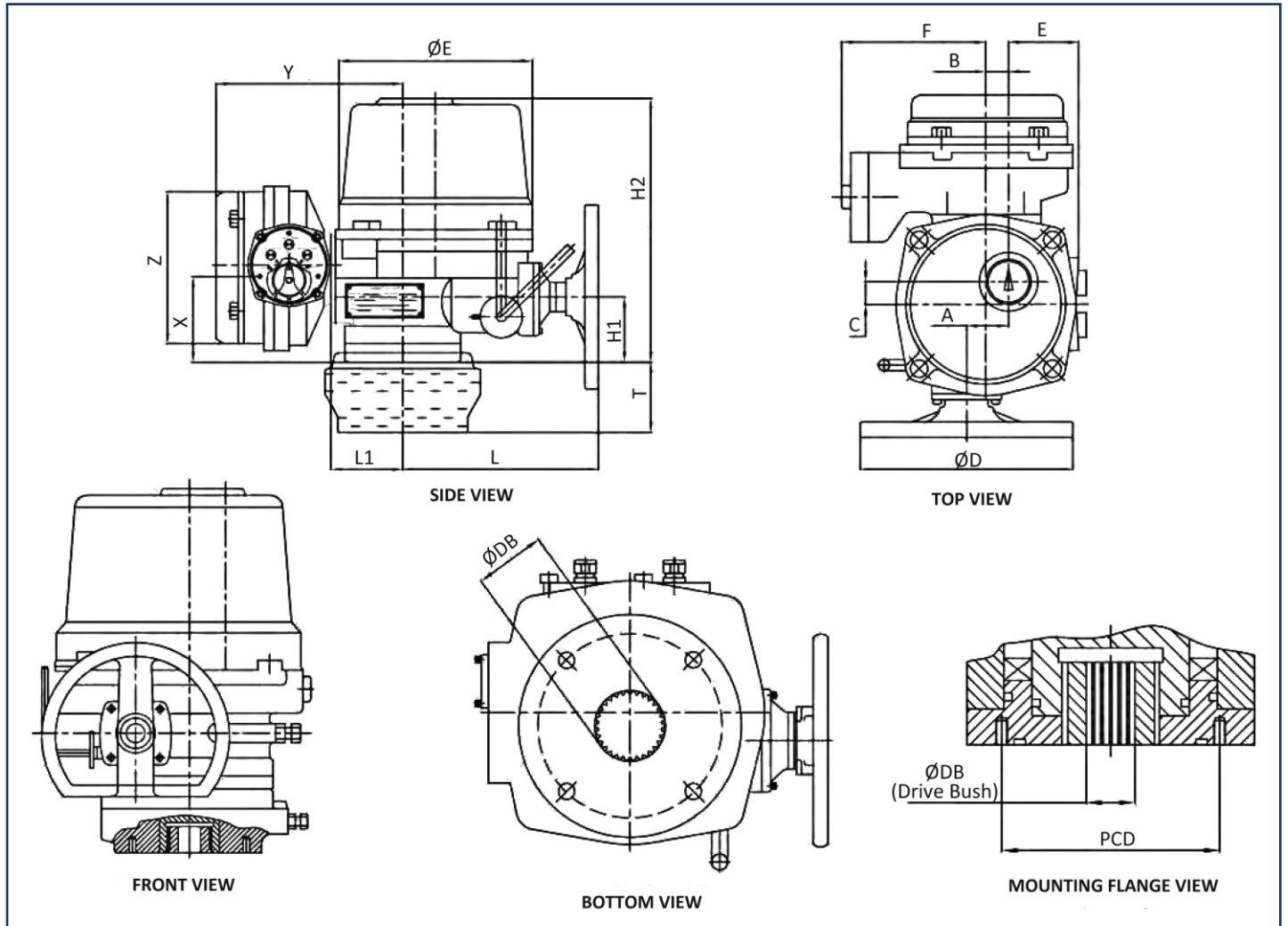
Quarter Turn Actuator

TECHNICAL DATASHEET – (Standard Specifications)

Model No.	Max Torque NM	Motor Watt	Rotation time Second / 90°	220V AC Supply			Manual Over Ride
				Start (A) at 30mS	Run (A)	LOCK Rotor (A)	
MOD-QT 10	100	25	18	1.05	0.7	1.05	Aluminium Alloy Wheel With Clutch Drive
MOD-QT 20	200	40	18	1.3	1.1	1.3	
MOD-QT 60	600	90	18	2.1	1.6	2.1	
MOD-QT 100	1000	200	30	4.5	3.3	4.5	
MOD-QT 150	1500	180	45	4	3	4	
MOD-QT 200	2000	200	45	4.5	3.3	4.5	
MOD-QT 250	2500	200	45	4.5	3.3	4.5	

Note : Specifications mentioned here are subject to revision without notice due to continuous product improvement.
(Rev.-1)

DIMENSION DETAILS

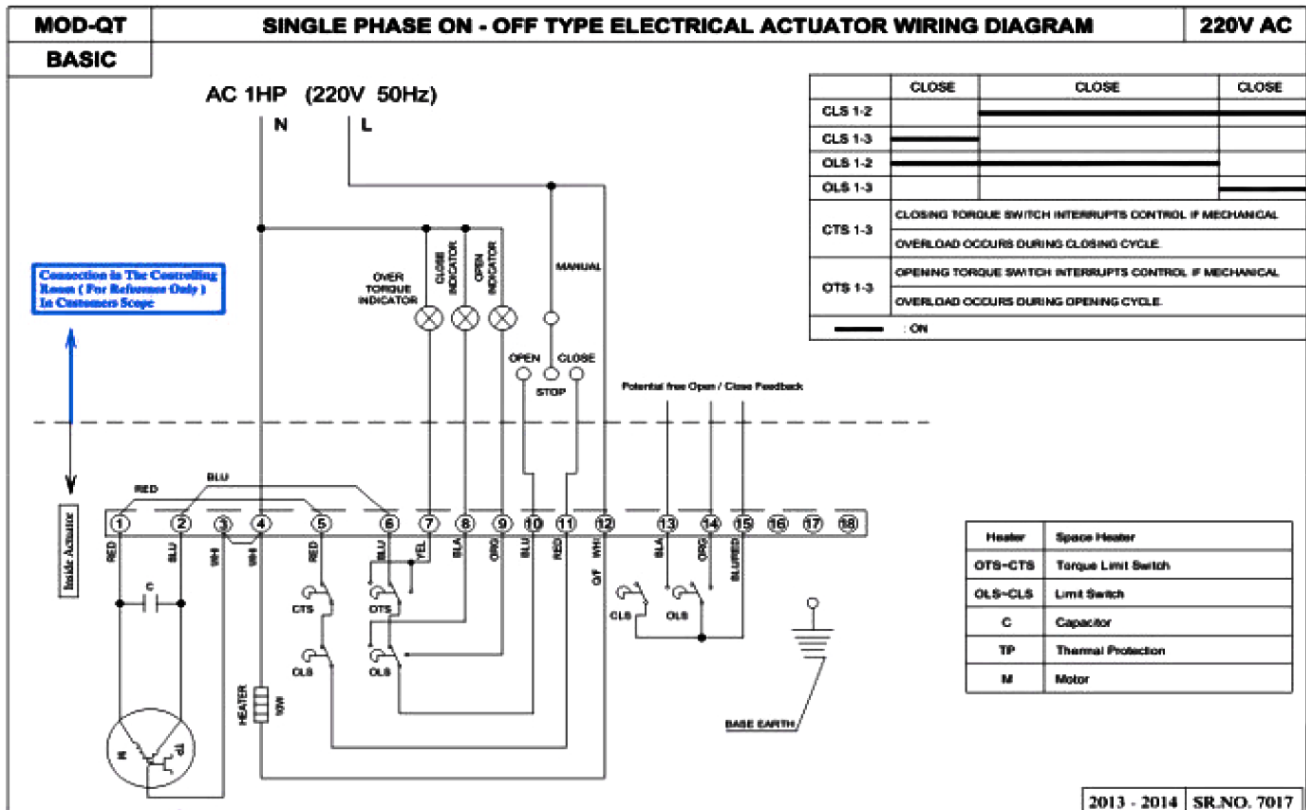


(ALL DIMENSIONS ARE IN MM)

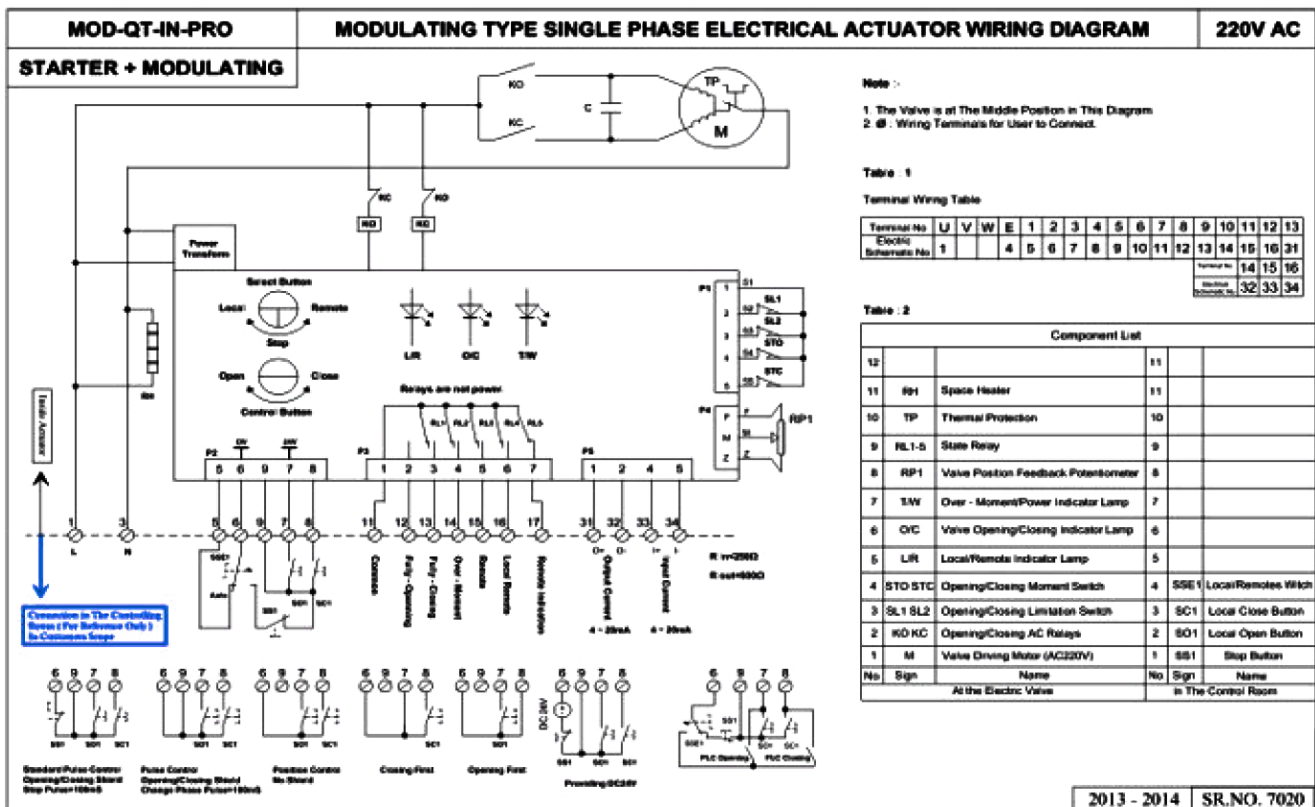
Model No:	A	B	C	E	F	$\varnothing D$	$\varnothing E$	T	H1	H2	L	L1	X	Y	Z	Mounting PCD	$\varnothing DB$ (Drive Bush)
MOD-QT 05	49.5	22.5	30	77.5	150	200	200	27.5	64	263	190	85	113	198	190	F05, F07	22
MOD-QT 10	49.5	22.5	30	77.5	150	200	200	27.5	64	263	190	85	113	198	190	F07, F10	42
MOD-QT 20	49.5	22.5	30	77.5	150	200	200	27.5	64	263	190	85	113	198	190	F07, F10	42
MOD-QT 40	60	33	35	77	150	200	220	27.5	70	304	205	88	119	203	190	F10	58
MOD-QT 60	70	43	38	92	150	250	260	27.5	78	342	228	106	127	220	190	F10, F14	58
MOD-QT 80	70	43	38	92	150	250	260	27.5	78	342	228	106	127	220	190	F12, F14	58
MOD-QT 100	70	43	38	92	150	250	260	27.5	78	342	228	106	127	220	190	F12, F14	58
MOD-QT 150	70	43	38	92	150	250	260	112	78	342	228	106	127	220	190	F14	72
MOD-QT 200	70	43	38	92	150	250	260	112	78	342	228	106	127	220	190	F14, F16	72
MOD-QT 250	70	43	38	92	150	250	260	112	78	342	228	106	127	220	190	F14, F16	72

Wiring Diagram :-

On Off Duty



Modulating



Lehry Instrumentation & Valves Pvt. Ltd.,

"Lehry Chambers" #78 (Old No: 51) Sembudoss Street,
P.B No.1506, Parrys, Chennai - 600 001.

Phone : 044 25226995/25225185/25226187/42163823/
42625620/42625621.

Fax : 044 25231715

Email : info@lehry.com / Website : www.lehryvalves.com

Branches : Chennai, Bangalore, Hyderabad, Mumbai, Noida, Pune